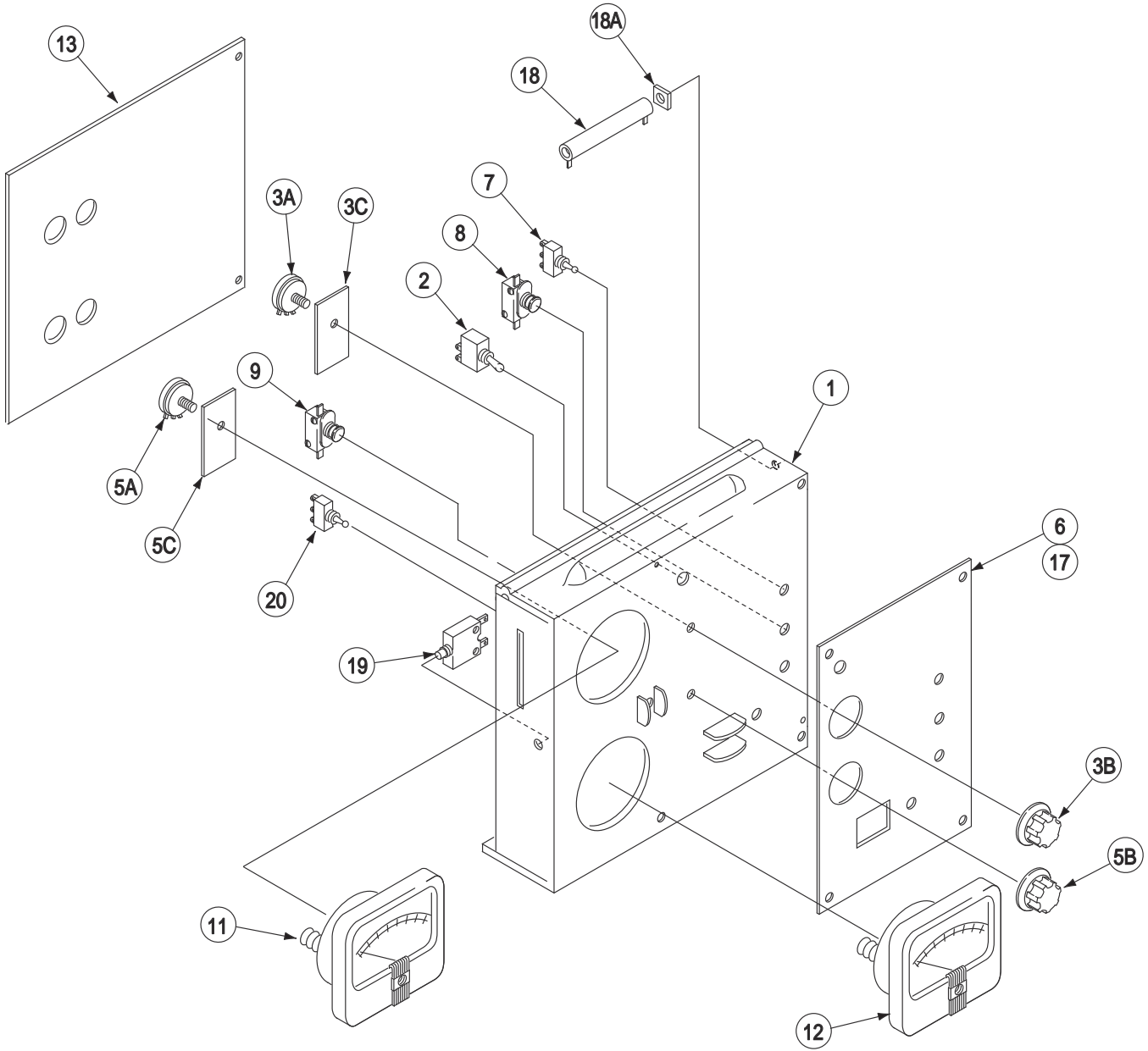


FRONT CONTROL PANEL



Index of Sub Assemblies

Part Numbers

Index of Sub Assemblies

Part Numbers

Index of Sub Assemblies

Part Numbers

Index of Sub Assemblies

Part Numbers

Indicates a Change This Printing

For the NA-3N, use parts marked "X" in column 1 (Code 11287 use parts marked "X" in column 6.)
 For the NA-3S, use parts marked "X" in column 2 (Codes 11284 use parts marked "X" in column 7.)
 For the NA-4, use parts marked "X" in column 3 or 4 (Codes 11285 use parts marked "X" in column 8.)
 For the NA-4 Modified for Series Arc, use parts in column 5. (Code 11345 use column 9 & Code 11346 use column 10)

ITEM	DESCRIPTION	PART NO.	QTY.	1	2	3	4	5	6	7	8	9	10
1	Control Box Cover	M12587-1	1	X	X	•	X	•	•	•	•	•	•
1	Control Box Cover	M12587-2	1	•	•	X	•	•	•	•	•	•	•
1	Control Box Cover	M12587-3	1	•	•	•	•	X	•	•	•	•	•
1	Control Box Cover	M12587-4	1	•	•	•	•	•	X	X	X	•	•
1	Control Box Cover	M12587-5	1	•	•	•	•	•	•	•	•	X	X
2	Control Power Switch	T10800-9	1	X	X	X	X	X	•	•	•	•	•
2	Control Power Switch	M20853	1	•	•	•	•	•	X	X	X	X	X
3A	Potentiometer	T10812-40	1	X	X	•	X	X	X	X	X	X	X
3B	Knob	T10491	1	X	X	•	X	X	X	X	X	X	X
3C	Insulation	T12792-1	1	X	X	•	X	X	X	X	X	X	X
4	NA-4 Current Switch (Below Code 7560 Only) (Not Shown)	S9826	1	•	•	X	•	•	•	•	•	•	•
5A	Potentiometer	T10812-37	1	X	X	X	X	X	X	X	X	X	X
5B	Knob	T10491	1	X	X	X	X	X	X	X	X	X	X
5C	Insulation	T12792-1	1	X	X	X	X	X	X	X	X	X	X
6	Nameplate, NA-3N	L5219	1	X	•	•	•	•	•	•	•	•	•
6	Nameplate, NA-3N (Below Code 11300)	L5219-3	1	•	•	•	•	•	X	X	•	•	•
6	Nameplate, NA-3N (Above Code 11300)	L5219-4	1	•	•	•	•	•	X	X	•	•	•
6	Nameplate, NA-3S (NA3N Plate Under NA-3S Plate)	L5220	1	•	X	•	•	•	•	•	•	•	•
6	Nameplate, NA-3S (NA3N Plate Under NA-3S Plate) (Below 11300)	L5220-3	1	•	•	•	•	•	•	X	•	•	•
6	Nameplate, NA-3S (NA3N Plate Under NA-3S Plate) (Above 11300)	L5220-4	1	•	•	•	•	•	•	X	•	X	•
6	Nameplate, NA-4 (Below Code 7560)	L5221 Ø	1	•	•	X	•	•	•	•	•	•	•
6	Nameplate, NA-4 (Above Code 7560)	L5479	1	•	•	•	X	•	•	•	•	•	•
6	Nameplate, NA-4 (Code 11285)	L5479-3	1	•	•	•	•	•	•	•	X	•	•
6	Nameplate, NA-4 (Codes 11300 & Above)	L5479-4	1	•	•	•	•	•	•	•	X	•	X
6	Nameplate, NA-4 Modified For Series Arc	L5479-1	1	•	•	•	•	X	•	•	•	•	•
7	Travel Switch	T13543	1	X	X	X	X	X	X	X	X	•	•
7	Toggle Switch	T10800-23	1	•	•	•	•	•	•	•	•	X	X
8	Inch Up, Inch Down, & Start Switches	T13541-2	3	X	X	X	X	X	X	X	X	X	X
9	Stop Switch	T13541-1	1	X	X	X	X	X	X	X	X	X	X
11	Voltmeter (Below Code 11300)	M7981-1	1	X	•	•	•	•	X	•	•	•	•
11	Ammeter (Below Code 11300)	M7980-2	1	•	X	•	•	•	•	X	•	•	•
11	Ammeter (Above Code 11300)	M20969-1	1	•	•	•	•	•	•	X	•	X	•
11	Ammeter (Below Code 11300)	M8455-1	1	•	•	X	X	•	•	•	X	•	•
11	Ammeter (Above Code 11300)	M20972-1	1	•	•	•	•	•	•	•	X	•	X
11	Speed Meter Assembly	S16654	1	•	•	•	•	X	•	•	•	•	•
12	Ammeter (Below Code 11300)	M7980-2	1	X	•	•	•	•	X	•	•	•	•
12	Voltmeter (Below Code 11300)	M7981-1	1	•	X	•	•	•	•	X	•	•	•
12	Voltmeter (Above Code 11300)	M20970-1	1	•	•	•	•	•	•	X	•	X	•
12	Voltmeter (Below Code 11300)	M8456-1	1	•	•	X	X	X	•	•	X	•	•
12	Voltmeter (Above Code 11300)	M20971-1	1	•	•	•	•	•	•	•	X	•	X
13	Box Cover Insulation	M13117-1	1	X	X	X	X	X	X	•	X	•	•
13	Box Cover Insulation	M13117-2	1	•	•	•	•	•	•	X	•	X	X
17	Nameplate	L5219	1	•	X	•	•	•	•	•	•	•	•
17	Nameplate	L5219-3	1	•	•	•	•	•	•	X	•	•	•
17	Nameplate	L5219-4	1	•	•	•	•	•	•	•	•	X	•
18	Resistor	S10404-75	1	X	X	X	X	X	X	X	X	X	X
18A	Insulating Washer	T4479-A	2	X	X	X	X	X	X	X	X	X	X
19	Circuit Breaker	T12287-10	1	X	X	X	X	X	X	X	X	X	X
20	Switch	T13381-6	1	•	•	•	•	X	•	•	•	•	•
	Switch Plate	T13096-8	1	•	•	•	•	X	•	•	•	•	•

Ø This part is obsolete and no longer available.